

SPARE PARTS PRICE LIST FOR **MS** MOTORS (ser.4)

Item	Spare Parts		Code No	Number per Motor
1	DUST SEAL	35x42x2	MP013V022	1
2	<u>HOUSING</u>			
	For MS...	SAE A-4	51162 759 00	1
	For MSA...	SAE A-2	51162 762 00	1
	For MSF...	Magneto [4 Holes]	51162 763 00	1
	For MSW...	Wheel, mounting flange	51162 761 00	1
	For MSQ...	Square	51162 760 00	1
3	<u>SHAFT SEAL</u>			
	For MS...	35-48-5,5	MP015V006	1
	For MS... U	35x48x5,5 /HP-20/	MP015V026	1
4	CASTELLATED NUT M20x1,5 [SHAFT 'K']		49817 002 00	1
5	WASHER		49891 027 00	1
6	<u>PARALLEL KEY</u>			
	For MS...C	A10x8x45 DIN 6885	MP13V003	1
	For MS...CO	5/16"x5/16"x1¼"	56823 006 00	1
	For MS...K	B 6x6x20 DIN 6885	56821 001 00	1
7	<u>SHAFT*</u>			
	For MS...C	cylindrical ø32, straight key	41344 233 00	1
	For MS...CO	cylindrical ø1¼", straight key	41344 234 00	1
	For MS...SH	14T splined ANS B92.1-1976	41344 235 00	1
	For MS...K	1:10 tapered ø35	41344 236 00	1
	For MS...SL	splined DIN 9611 Form 1	41344 223 00	1
8	RADIAL TAPERED ROLLER BEARING [40x68x19]*		MP10V008	2
9	SPACER BUSHING*		43141 403 00	1
10	SUPPORT BUSHING*		43141 784 00	1
11	LOCK NUT *	M40x1,5	49813 023 00	1
12	"O" RING	69x3	MP011V022	1
13	SEAL RING MS		43741 704 00	1
14	<u>PLUG</u>			
	For MS ...	G1/4	MP17V001	1
	For MS ... M	M14x1,5	MP17V004	1
15	<u>WASHER</u>			
	For MS ...	13x17	49891 566 00	1
	For MS ... M	14x18	MP021B003	1
16	<u>INTERMEDIATE PLATE</u>			
	For MS ...		56212 087 00	1
	For MS ... M		56212 088 00	1
17	"O" RING	83x2	MP011V025	3
18	<u>CARDAN SHAFT</u>			
	For MS ... 80	L = 67.5 mm	46457 223 00	1
	For MS ... 100	L = 70 mm	46457 194 00	1
	For MS ... 125	L = 75 mm	46457 195 00	1
	For MS ... 160	L = 81 mm	46457 196 00	1
	For MS ... 200	L = 88 mm	46457 197 00	1
	For MS ... 250	L = 96,6 mm	46457 198 00	1

Item	Spare Parts	Code No	Number per Motor
	For MS ... 315 L = 107,8 mm	46457 199 00	1
	For MS ... 400 L = 122,8 mm	46457 200 00	1
	For MS ...475 L = 136,5 mm	46457 201 00	1
	For MS ...525 L = 128,5 mm	46457 202 00	1
	For MS ...565 L = 133,5 mm	46457 203 00	1
19	<u>GEAR WHEEL SET MS...</u>		
	For MS 80 W=14,0 mm	129 9040 100	1
	For MS 100 W=17,4 mm	129 9040 200	1
	For MS 125 W=21,8 mm	129 9040 300	1
	For MS 160 W=27,8 mm	129 9040 400	1
	For MS 200 W=34,8 mm	129 9040 500	1
	For MS 250 W=43,5 mm	129 9040 600	1
	For MS 315 W=54,8 mm	129 9040 700	1
	For MS 400 W=69,4 mm	129 9040 800	1
	For MS 475 W=82,6 mm	129 9040 850	1
	For MS 525 W=74,5 mm	129 9040 900	1
	For MS 565 W=80,2 mm	129 9040 950	1
20	<u>VALVE DRIVE II</u>		
	For MS ...	46457 008 00	1
	For MS ...T	46453 004 00	1
21	<u>CHANNEL PLATE</u>		
	For MS ... -cep.3	43142 763 00	1
	For MS ...LSV-cep.3	43142 771 00	1
	For MS 525, 565 ... -cep.3	43142 846 00	1
	For MS 525, 565 ...LSV-cep.3	43142 847 00	1
22	BALL 5	MP09V007	2
23	VALVE PLATE MS	43142 717 00	1
23.1	VALVE PLATE MS...RS	43142 796 00	1
24	<u>BALANCE PLATE</u>		
	For MS ...	45342 081 00	1
	For MS ...T	45342 081 01	1
25	PIN 5x10	MP08V159	1
26	"O" RING 45x2	MP011V039	1
27	"O" RING 24x2	MP011V038	1
28	SPRING WASHER	59263 014 00	1
29	SPACER MS	41111 050 00	1
30	<u>END COVER MS...</u>		
	For MS ...	51141 076 00	1
	For MS ... M	51141 078 00	1
	For MS ... E	51141 077 00	1
	For MS ... EM	51141 079 00	1
	For MS ...T	51141 114 00	1
	For MS ... MT	51141 114 01	1
30.1	<u>END COVER MS...RS</u>		
	For MS ...	51141 076 01	1
	For MS ... M	51141 078 01	1
	For MS ... E	51141 077 01	1

Item	Spare Parts	Code No	Number per Motor
	For MS ... EM	51141 079 01	1
31	<u>SCREW</u> M10xL, mm		
	For MS...80, 100 L=130	MP08V031	4
	For MS...125, 160 L=140	MP08V032	4
	For MS...200 L=150	MP08V033	4
	For MS...250 L=160	MP08V034	4
	For MS...315 L=170	MP08V035	4
	For MS...400 L=185	MP08V036	4
	For MS... 475, 525, 565 L=190	MP08V205	4
32	<u>NAME-PLATE</u>		
	For MS ...	49961 887 <u>00</u>	1
	For MS ...T	49961 886 <u>00</u>	1
33	<u>RIVET</u> 2x5		
	For MS ...	MP08B057	4
	For MS ...T	MP08B057	2
34	<u>PLUG</u>		
	For MSE ... G ½	MP17V014	2
	For MSE ... M M22x1,5	49561 234 00	2
35	<u>WASHER</u>		
	For MSE ... 21x26	49891 564 00	2
	For MSE ... M 22x27	MP021B006	2
36	PLUG 9 (for MS-RS only)	MP065014	1
37	TACHOMETER MS...T	129 9040 001	1
38	PIN MS...T	49715 015 00	1

NOTES:

- ** - BEARING UNIT for MS...C (1291001150) contains items 7,8,9,10 and 11.These parts are not separately available.
- ** - BEARING UNIT for MS...CO (1291001160) contains items 7,8,9,10 and 11.These parts are not separately available. **
- BEARING UNIT for MS...K (1291001170) contains items 4,5,6, 7,8,9,10 and 11.These parts are not separately available.
- ** - BEARING UNIT for MS...SH (1291001180) contains items 7,8,9,10 and 11.These parts are not separately available.
- ** - BEARING UNIT for MS...SL (1291001140) contains items 7,8,9,10 and 11.These parts are not separately available.

** - Contained in Seal Kit Code 41 5127 9047 and 41 5127 8200.

Seal Kit for MS- series 4

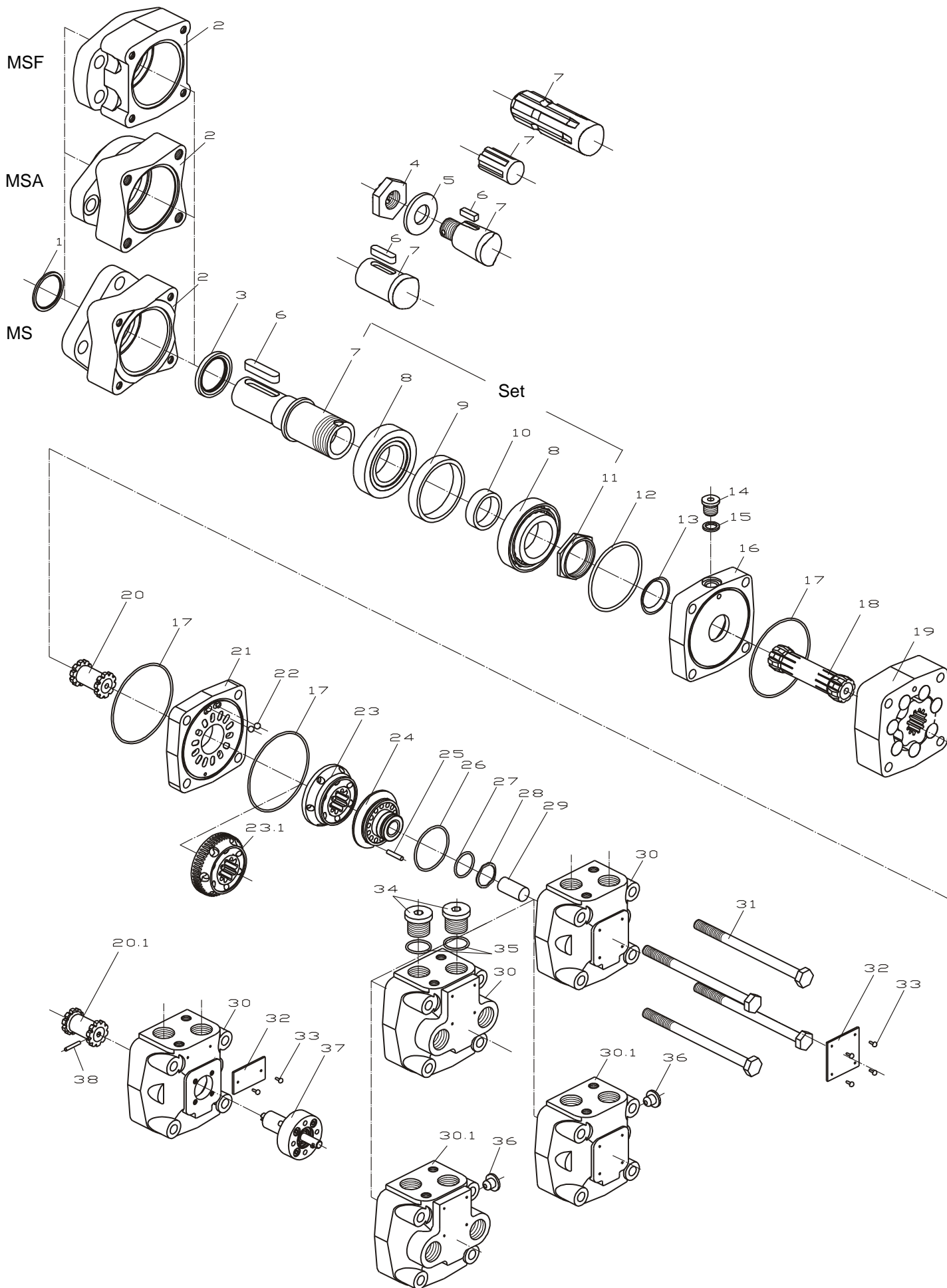
Item	Spare Parts	Code No 41 5127 9047	Number per Motor
1	DUST SEAL 35x42x2		1
3	SHAFT SEAL 35-48-5,5		1
10	"O" RING 69x3		1
17	"O" RING 83x2		3
26	"O" RING 45x2		1
27	"O" RING 24x2		1

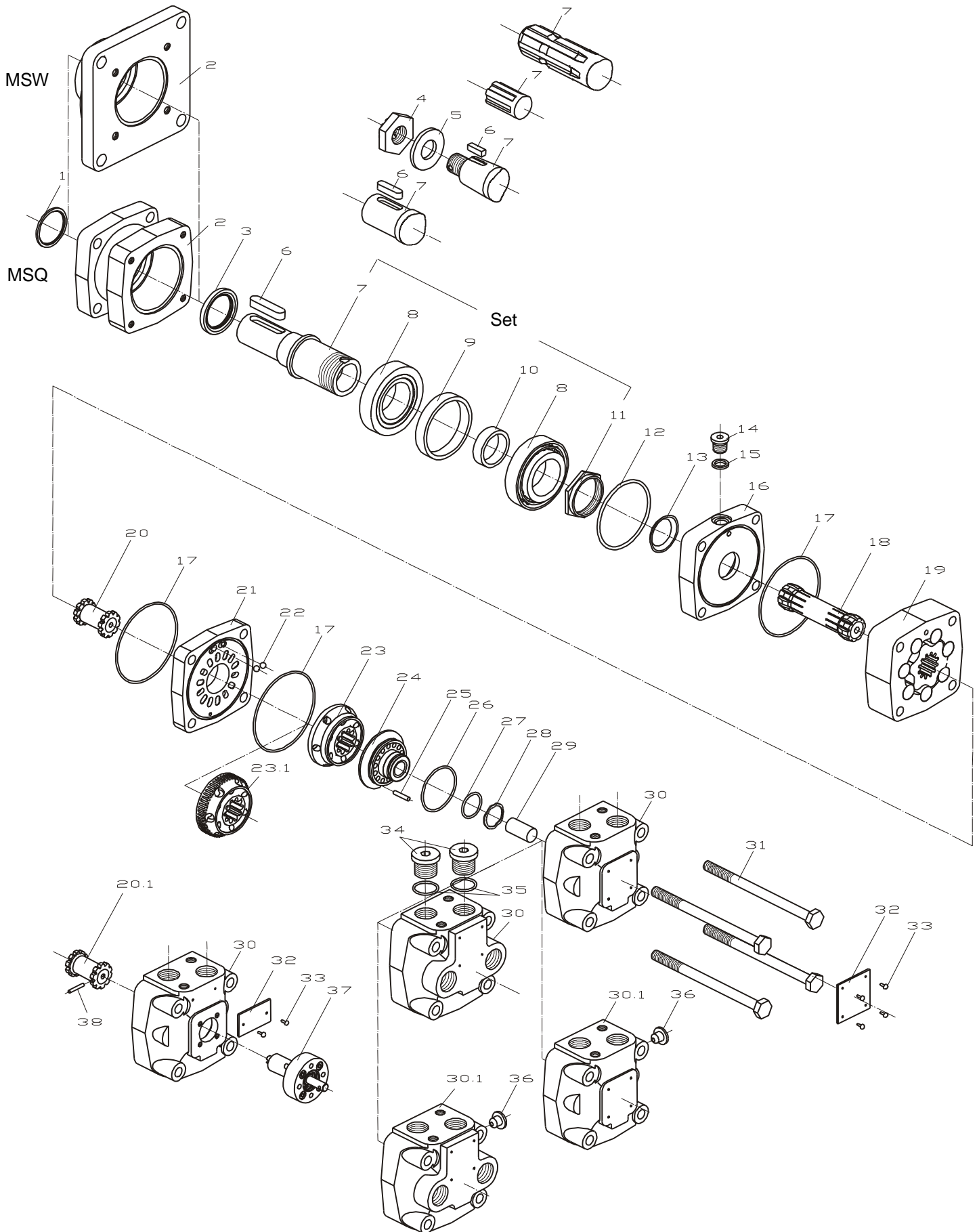
Seal Kit for MS...U– series 4

Item	Spare Parts	Code No 41 5127 8200	Number per Motor
1	DUST SEAL 35x42x2		1
3	SHAFT SEAL 35x48x5,5 /HP-20/		1
10	"O" RING 69x3		1
17	"O" RING 83x2		3
26	"O" RING 45x2		1
27	"O" RING 24x2		1

Tightening Torques

Item	Tightening, daNm
4	19 ÷ 21
11	4,0 ÷ 5,0
14	2,0 ÷ 2,5
31	6,0 ÷ 7,0
34	3,0 ÷ 3,5





SPARE PARTS FOR HYDRAULIC MOTORS TYPE MSY...-Series 3, 41512740XX

Item	Spare Parts	Code No	Number per Motor
1	DUST SEAL 35x42x2	MP013V022	1
2	<u>HOUSING</u>		
	For MSY... SAE A-4	51162 759 00	1
	For MSYA... SAE A-2	51162 762 00	1
	For MSYF... Magneto [4 Holes]	51162 763 00	1
	For MSYW... Wheel, mounting flange	51162 761 00	1
	For MSYQ... Square	51162 760 00	1
3	<u>SHAFT SEAL</u>		
	For MSY... 35-48-5,5	MP015V006	1
	For MSY... U 35x48x5,5 HP-20	MP015V026	1
4	CASTELLATED NUT M20x1,5 [SHAFT 'K']	49817 002 00	1
5	WASHER	49891 027 00	1
6	<u>PARALLEL KEY</u>		
	For MSY...C A10x8x45 DIN 6885	MP13V003	1
	For MSY...CO 5/16"x5/16"x1¼"	56823 006 00	1
	For MSY...K B 6x6x20 DIN 6885	56821 001 00	1
7	<u>SHAFT*</u>		
	For MSY...C cylindrical ø32, straight key	41324 026 00	1
	For MSY...CO cylindrical ø1¼", straight key	41324 033 00	1
	For MSY...SH 14T splined ANS B92.1-1976	41324 028 00	1
	For MSY...K 1:10 tapered ø35	41324 024 00	1
	For MSY...SL splined DIN 9611 Form 1	41324 029 00	1
8	RADIAL TAPERED ROLLER BEARING [40x68x19]*	MP10V008	2
9	SPACER BUSHING*	43141 403 00	1
10	SUPPORT BUSHING*	43141 784 00	1
11	LOCK NUT * M40x1,5	49813 023 00	1
12	"O" RING 69x3	MP011V022	1
13	SEAL RING MSY	43741 003 00	1
14	<u>PLUG</u>		
	For MSY ... G1/4	MP17V001	1
	For MSY ... M M14x1,5	MP17V004	1
15	<u>WASHER</u>		
	For MSY ... 13x17	49891 566 00	1
	For MSY ... M 14x18	MP021B003	1
16	<u>INTERMEDIATE PLATE</u>		
	For MSY ... -series 3	56212 104 00	1
	For MSY ... M-series 3	56212 104 01	1
17	"O" RING 83x2	MP011V025	3
18	<u>CARDAN SHAFT</u>		
	For MSY ... 200	46419 021 00	1
	For MSY ... 250	46419 022 00	1
	For MSY ... 315	46419 023 00	1
	For MSY ... 400	46457 072 00	1

Item	Spare Parts	Code No	Number per Motor
19	<u>GEAR WHEEL SET MSY...</u>		
	For MSY 200 W=34,8 mm	129 7500 200	1
	For MSY 250 W=43,5 mm	129 7500 300	1
	For MSY 315 W=54,8 mm	129 7500 400	1
	For MSY 400 W=69,4 mm	129 7500 500	1
20	VALVE DRIVE II	46467 018 00	1
21	<u>CHANNEL PLATE</u>		
	For MSY ... -cep.3	43142 763 00	1
	For MSY ...LSV-cep.3	43142 771 00	1
22	BALL 5	MP09V007	2
23	VALVE PLATE MSY	43142 717 00	1
23.1	VALVE PLATE MSY...RS	43142 796 00	1
24	BALANCE PLATE	45342 081 00	1
25	PIN 5x10	MP08V159	1
26	"O" RING 45x2	MP011V039	1
27	"O" RING 24x2	MP011V038	1
28	SPRING WASHER	59263 014 00	1
29	SPACER MSY	41111 030 00	1
30	<u>END COVER MSY...</u>		
	For MSY ...	51141 076 00	1
	For MSY ... M	51141 078 00	1
	For MSY ... E	51141 077 00	1
	For MSY ... EM	51141 079 00	1
30.1	<u>END COVER MSY...RS</u>		
	For MSY ...	51141 076 01	1
	For MSY ... M	51141 078 01	1
	For MSY ... E	51141 077 01	1
	For MSY ... EM	51141 079 01	1
31	<u>SCREW M10xL, mm</u>		
	For MSY...200 L=150	MP08V033	4
	For MSY...250 L=160	MP08V034	4
	For MSY...315 L=170	MP08V035	4
	For MSY...400 L=185	MP08V036	4
32	NAME-PLATE	49961 887 00	1
33	RIVET 2x5	MP08B057	4
34	<u>PLUG</u>		
	For MSYE ... G ½	MP17V014	2
	For MSYE ... M M22x1,5	49561 234 00	2
35	<u>WASHER</u>		
	For MSYE ... 21x26	49891 564 00	2
	For MSYE ... M 22x27	MP021B006	2
36	PLUG 9 (for MSY-RS only)	MP065014	1

NOTES:

- * - BEARING UNIT for MSY...C (1298470100) contains items 7,8,9,10 and 11. These parts are not separately available.
- * - BEARING UNIT for MSY...K (1298470300) contains items 4,5,6,7,8,9,10 and 11. These parts are not separately available.
- * - BEARING UNIT for MSY...SH (1298470200) contains items 7,8,9,10 and 11. These parts are not separately available.
- * - BEARING UNIT for MSY...SL (1298470100) contains items 7,8,9,10 and 11. These parts are not separately available.
- * - BEARING UNIT for MSY...C (1298470400) contains items 7,8,9,10 and 11. These parts are not separately available. Uni

** - Contained in Seal Kit Code 41 5127 4200 and 41 5127 4000.

Seal Kit for MSY- series 3

Item	Spare Parts		Code No 41 5127 4200	Number per Motor
1	DUST SEAL	35x42x2		1
3	SHAFT SEAL	35-48-5,5		1
10	"O" RING	69x3		1
17	"O" RING	83x2		3
26	"O" RING	45x2		1
27	"O" RING	24x2		1

Seal Kit for MSY...U- series 3

Item	Spare Parts		Code No 41 5127 4000	Number per Motor
1	DUST SEAL	35x42x2		1
3	SHAFT SEAL	35x48x5,5 HP-20		1
10	"O" RING	69x3		1
17	"O" RING	83x2		3
26	"O" RING	45x2		1
27	"O" RING	24x2		1

Tightening Torques

Item	Tightening, daNm
4	19 ÷ 21
11	4,0 ÷ 5,0
14	2,0 ÷ 2,5
31	6,0 ÷ 7,0
34	3,0 ÷ 3,5

