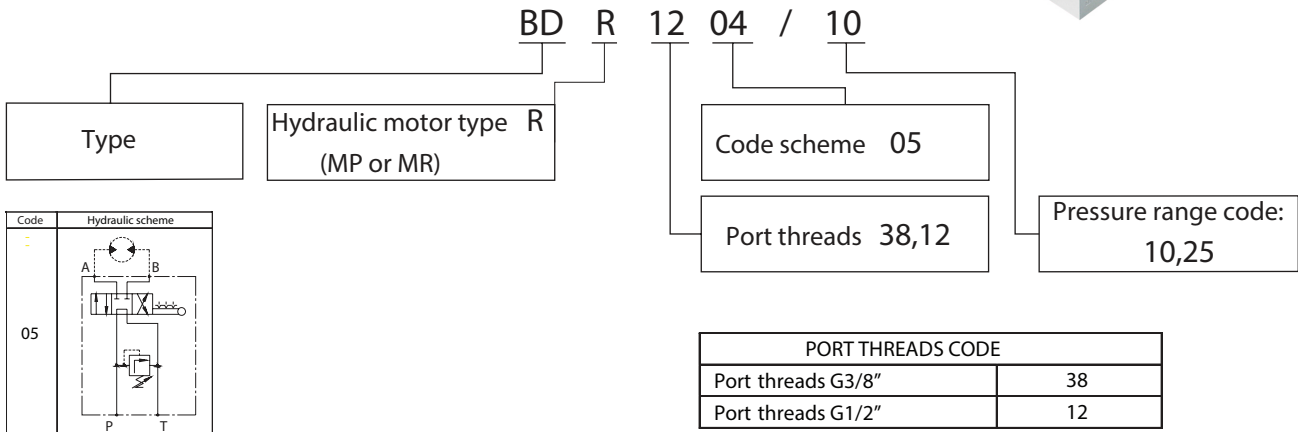


DIRECT MOUNTED MOTOR VALVES - BDR
Handle Operated DCV, MP/MR Series

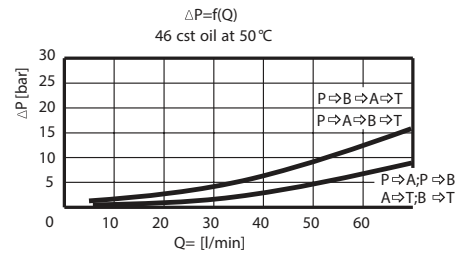


ORDERING CODE



SPECIFICATIONS

TECHNICAL DATA		
Nominal flow rate for type 38	L/min	25
Nominal flow rate for type 12	L/min	50



Pressure range			
Code	Standard setting bar (Q=5l/min)	Adj. pressure range bar	Colour
10	80	10...100	White
25	180	30...250	Yellow

DIMENSIONS

