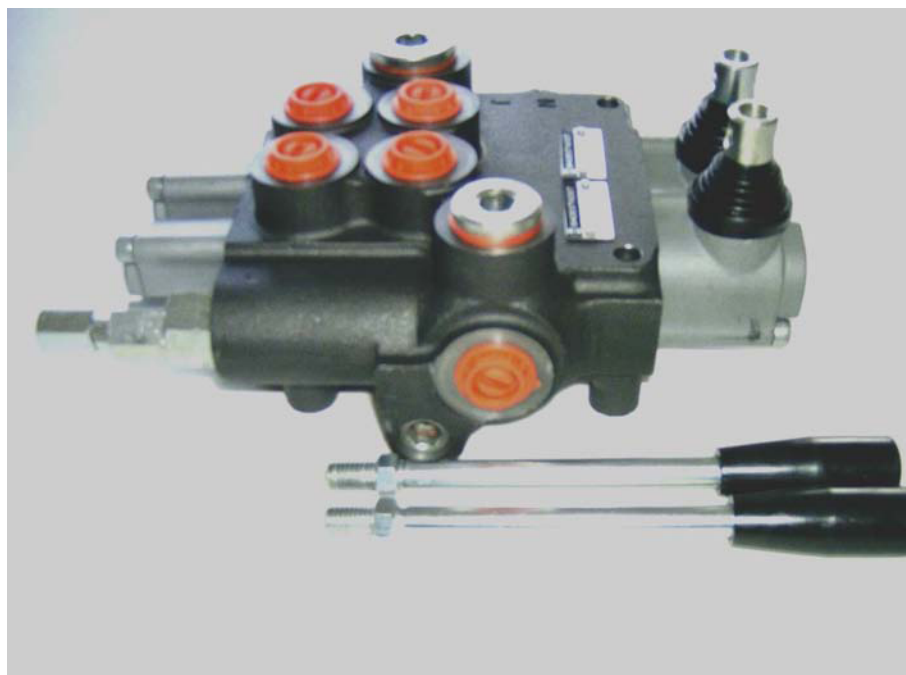




HYDRAULIC DIRECTIONAL CONTROL VALVES РАСПРЕДЕЛИТЕЛИ ГИДРАВЛИЧЕСКИЕ

Type: P80



Description

For starting, controlling and stopping the working fluid between the generator of pressured flow, the consumers at the Tank.

Specifications

1.Valve monoblock	
2.Mounting	3 bolts M8
3.Pressure connections	internal thread
4.Ambient temperature	-40C...+60C
5.Pressure medium	mineral oil based hydraulic oil
6.Viscosity	12...800 mm ² /s permissible range 20...100 mm ² /s recommended range
7.Fluid temperature	-15C...+80C
8.Filtration	Oil contamination 10 to NAS1638
9. Max. operating pressure max. bar	P = 250 bar T = 50 bar A, B = 300 bar
10.Leakage (, -)	18 cm ³ /min at 120 bar
11.Nominal flow	80 l/min (see "operating" diagram)
12.Spool stroke	± 7 mm
13.Actuating force	< 220 N in spool axis direction



directional control valve P80

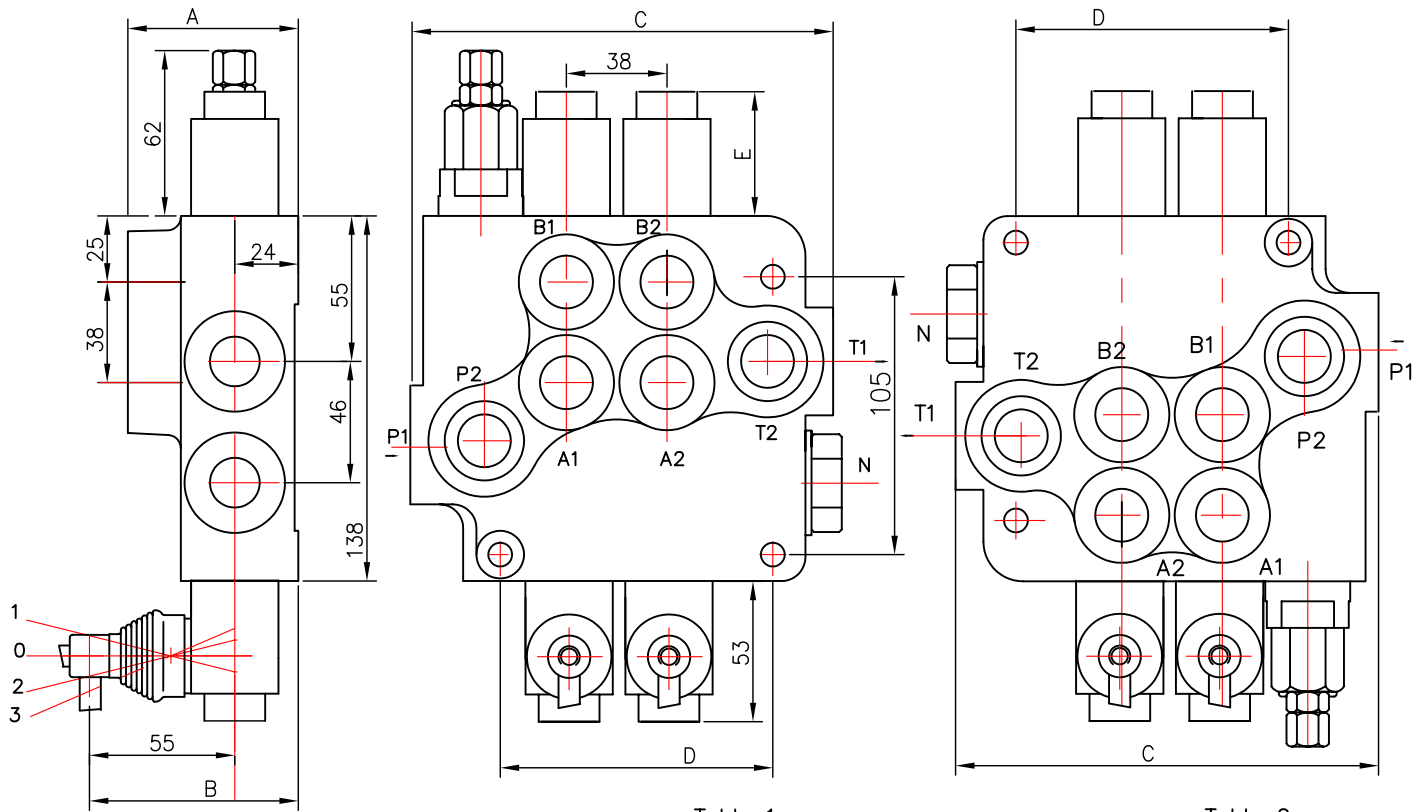


Table 1

	A	B	C	D	P1	P2	T1	T2
P80	65	79	107	65	*	*	-	-
2P80	80	94	160	103	*	*	*	*
3P80	80	94	198	141	*	*	*	*
4P80	80	94	242	179	*	*	*	*
5P80	80	94	280	217	*	*	*	*
6P80	80	94	318	255	*	*	*	*

Table 2

Spool control	E
1, 4, 5, 6, 7, 8, 9, 10, 11,	40
2, 3, 12, 14	72
13	44

- 0 block with common check valve / распределитель с общим клапаном
- 2 number of spools / количество золотников
- P80 directional control valve type ... / распределитель типа ...
- R inlet high pressure - right / вход высокого давления с правой стороны
- 1 way of distribution/parallel or ... / способ распределения потока
- A 1 first spool distribution type / характеристика первого золотника
- 1 spool control/detend and etc./ / контроль золотника/фиксации и груза/
- A 1 second spool distribution type / характеристика второго золотника
- 1 spool control/detend and estr./ / контроль золотника/фиксации и груза/
- G ports /treads/ / резьбовые отверстия
- KZ1 general operation feature / вид ручного управления
- T with "teton" / исполнение ручного управления с "тетон"
- H operation feature /pneumatic, .../ / другое управление
- E with electric switch / с электрическим выключателем
- C2 high pressure carry over / продолжительное течение высокого давления
- 11 connection ports in use / присоединительные отверстия



directional control valve P80

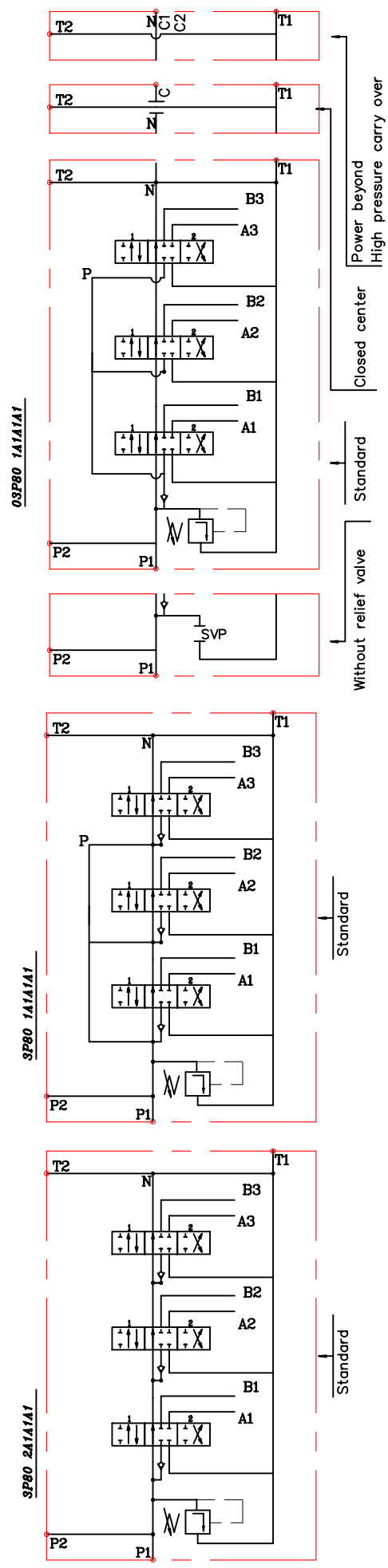


Table 3

code	Number of spools
	1
	2
	3

Table 4

code	way of distribution ; распределение потока
1	parallel ; параллельное
2	tandem(series parallel) ; серийно-параллельное

ets.

Table 5

code	spool type
A	
B	
C	
D	
E	
F	
G	
H	
M	
N	
O	
P	
Q	
R	
S	
T	
L	

Table 6

code	spool control
1	1 0 2
2	1 0 2
3	1 0 2
4	0 2
5	1 0
6	1 2
7	1 2
8	1 0 2
9	1 0
10	0 2
11	1 2
12	1 0 2 3
13	1 0 2 3

Table 7

code	с микро шалтер ; incorporated microswitch
E	 mikroswitch type Omron-V 165 I C5

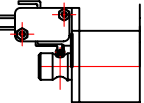


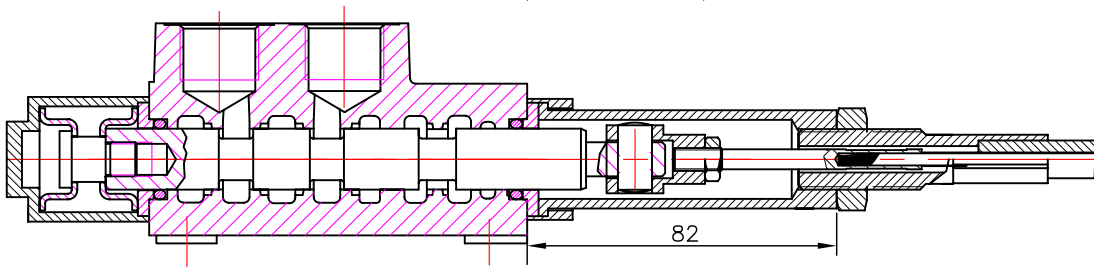
Table 8

code	другое управление ; operation feature
P	 пневматическое on-off pneumatic control; 5-10 bar ; ports G1/4
H	 гидравлическое on-off hydraulic control ; pn = 5 - 20 bar ; ports G1/4

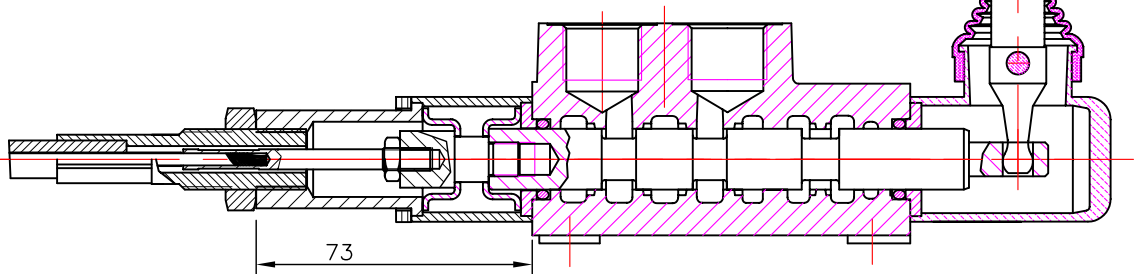


directional control valve P80

REMOTE CONTROLS
 Управление тросом



P80 A1G V1(l= . . .)+ 3047
 spool valve cable control body

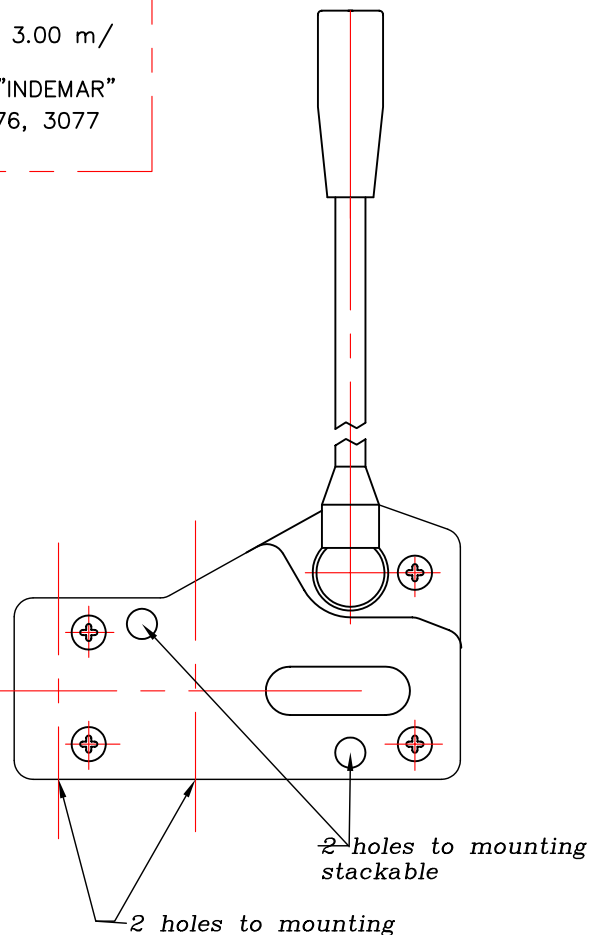


P80 A1G V2KZ1(l= . . .)+ 3047
 spool valve cable control body

Cable "INDEMAR" Cod. IT 3056 /l=1.00; 1.50; 2.00; 2.50; 3.00 m/
 +control body "INDEMAR"
 code 3047, 3076, 3077

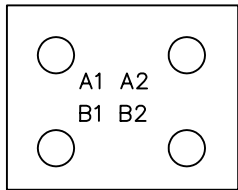
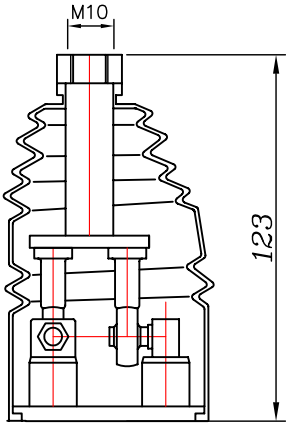
Technical specifications			
	3047	3076	3077
Stroke	13+13 mm	13+13 mm	13+13 mm
Max. load	45 kg	45 kg	45 kg
Level ratio	10:1	10:1	10:1
Lock in neutral	No	No	Yes
Antireverse lock	No	Yes	No
Body colour	Black	Black	Black
Cables type	Heavy Duty	Heavy Duty	Heavy Duty
Operating temperature	-40/+80C	-40/+80C	-40/+80C

High solidity controls for easy mounting on every type of distributor. They can be mounted stand alone or packed together. They use push-pull heavy duty cables that provide a positive smooth operating lever and are manufactured in three different models to meet different needs of Clients.

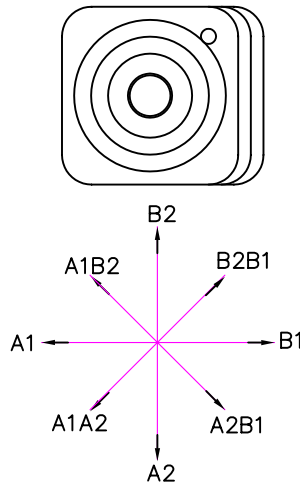


JOYSTICK "+"

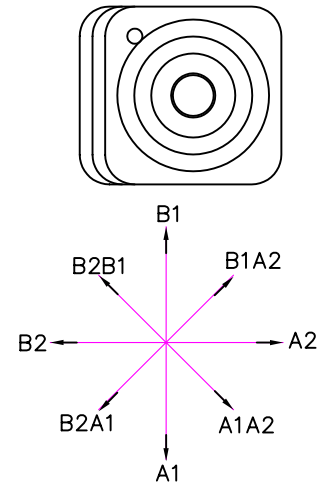
This control gives the possibility to operate, at the same time two spools with a "+" movement.



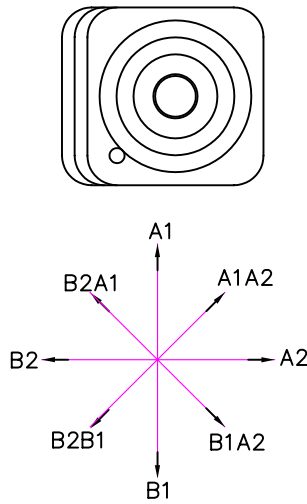
standard version 1



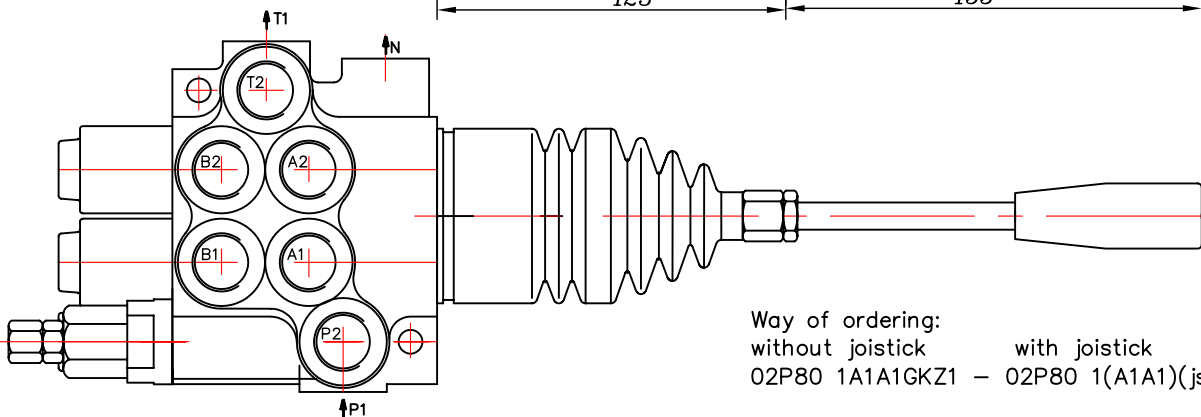
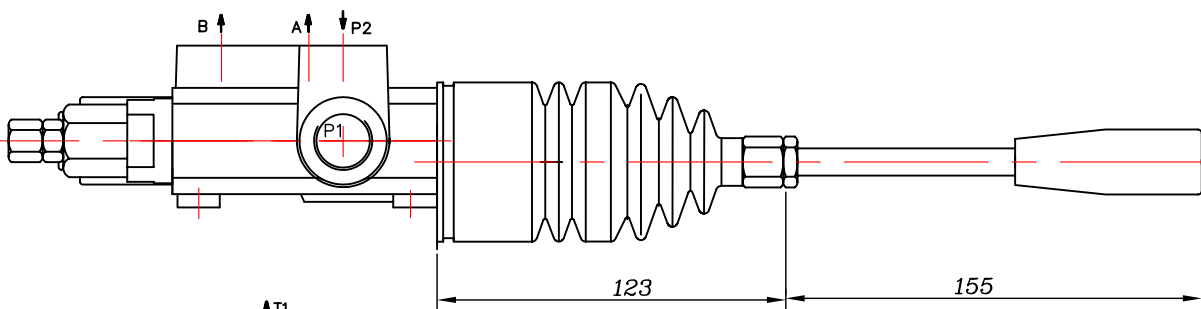
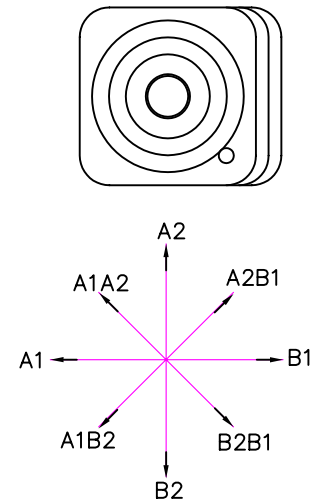
standard version 2



standard version 3



standard version 4



Way of ordering:
 without joystick with joystick
 O2P80 1A1A1GKZ1 - O2P80 1(A1A1)(js+3)G